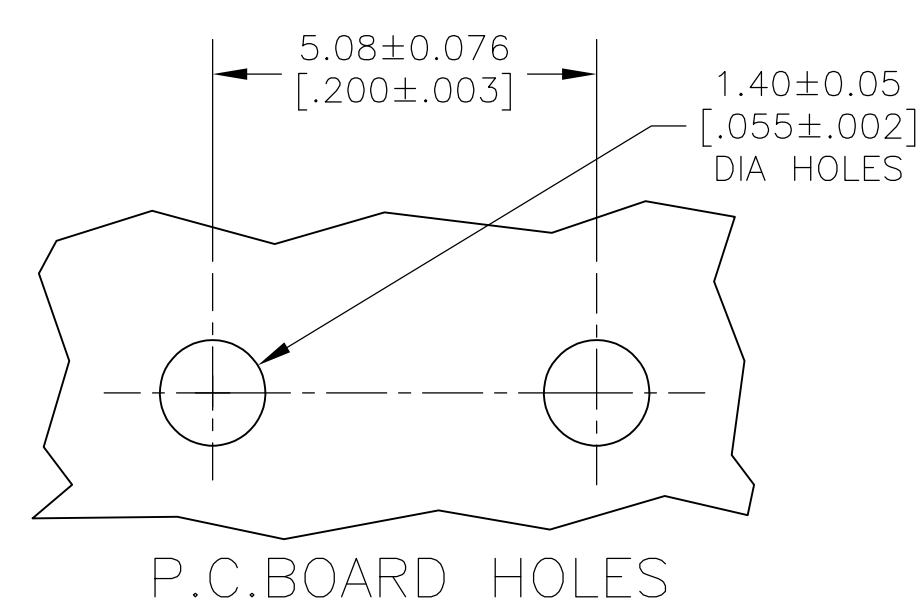
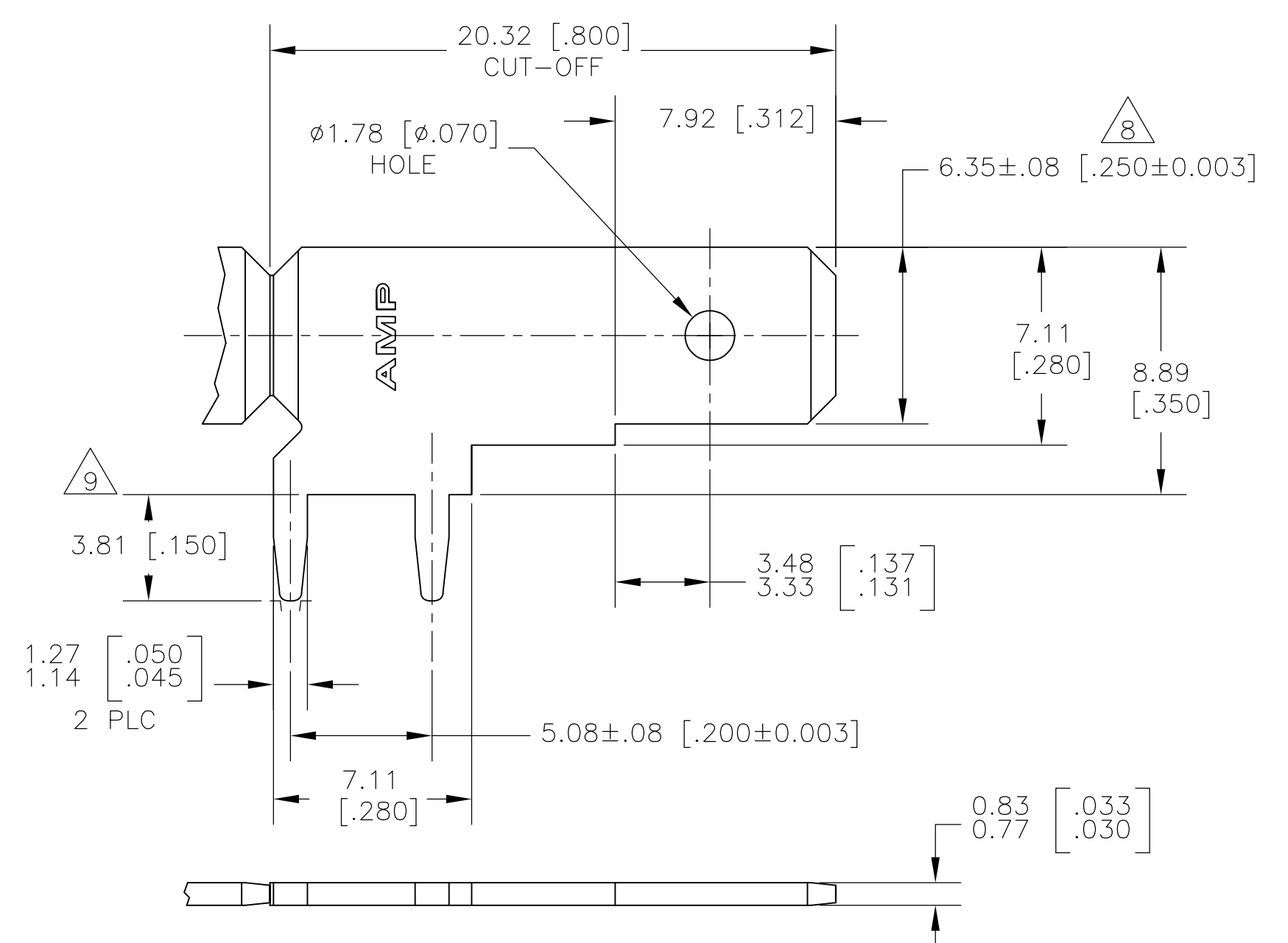


THIS DRAWING IS UNPUBLISHED. RELEASED FOR PUBLICATION  
 © COPYRIGHT - By - ALL RIGHTS RESERVED.

LOC	DIST	REVISIONS					
AF	50	P	LTR	DESCRIPTION	DATE	DWN	APVD
		L		REVISED PER ECR-13-001204	24JUN13	KH	PD



- 1 CONTINUOUS STRIP ON REELS.
- 2 0.00381 [.000150] MIN TIN OVER  
0.00127 [.000050] MIN NICKEL.
- 3 REVERSE REELING OF 63951-1
- 4 0.00254 [.000100] MIN SILVER  
OVER 0.00127 [.000050] MIN NICKEL
- 5 REELED WITH INTERLEAVING PAPER
- 6 PRELIMINARY - NOT FOR PRODUCTION
- 7 0.00127 [.000050] MIN NICKEL ALL OVER  
FOR 63951-5 ONLY
- 8 0.00076 [.000030] MIN SELECTIVE GOLD, BOTH  
SIDES, 63951-5 ONLY.
- 9 0.002032 [.000080] MIN SELECTIVE LEAD FREE  
TIN, BOTH SIDES, 63951-5 ONLY.
- 10 REVERSE REELED WITH TAB OFF FIRST AND  
PCB POSTS FACING AWAY.

5	10	2	6	63951-9
	10	2		63951-8
		7 8 9	6	63951-5
5		2		63951-4
		4	6	63951-3
3		2	6	63951-2
		2		63951-1
FINISH				PART NO.

THIS DRAWING IS A CONTROLLED DOCUMENT.		DWN	JR RUTH	11DEC00	<b>STE</b> TE Connectivity				
DIMENSIONS: INCHES		CHK	MS FEHER	11DEC00					
TOLERANCES UNLESS OTHERWISE SPECIFIED:		APVD	G PORTA	11DEC00	NAME				
0 PLC ± -		PRODUCT SPEC		TAB, FASTON, 6.35 [.250] SERIES					
1 PLC ± -		APPLICATION SPEC		114-2115		SIZE	CAGE CODE	DRAWING NO	RESTRICTED TO
2 PLC ± 0.25 [.010]		WEIGHT		-		A3 00779		C-63951	-
3 PLC ± -		CUSTOMER DRAWING		SCALE		SHEET		REV	
4 PLC ± -				5:1		1 OF 1		L	
ANGLES ± -									
FINISH									
SEE TABLE									
MATERIAL									
BRASS									